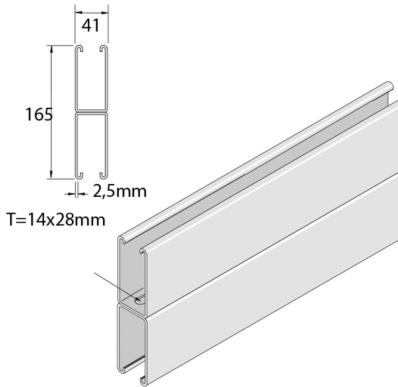


P5001T

Montageprofiel



Stand. Uitv.

Hot-Dip

| HD | Artikel | ↕ mm | ↔ mm | → ← mm | ↔ mm | kg/m | 📦 | Stock | Eenh. |
|----|----------------|---------|---------|------------|---------|-------|-----|-------|-------|
| - | P5001TH | 165 | 41 | 2,5 | 6000 | 8,110 | 240 | | M |

Afkorting:

- HG = Hot-Dip Gegalvaniseerd