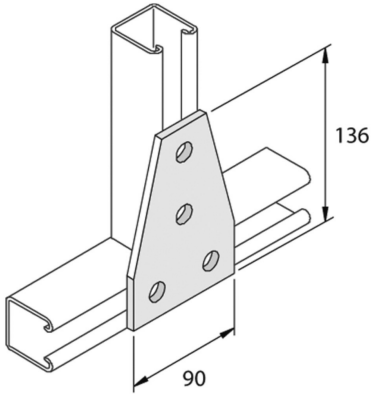


P1358

Verbindingsstuk vlak TR 4D14



Stand. Uitv.

Hot-Dip

| HD | Artikel | ↕ mm | ↔ mm | → ← mm | ↔ mm | kg/stk | 📦 | Stock | Eenh. |
|----|----------------|---------|---------|------------|---------|--------|----|-------|-------|
| - | P1358 | | 136 | | 90 | 0,480 | 10 | X | STK |
| - | P1358DF | 136 | | | 90 | 0,480 | 10 | X | STK |

Afkorting:

- HG = Hot-Dip Gegalvaniseerd