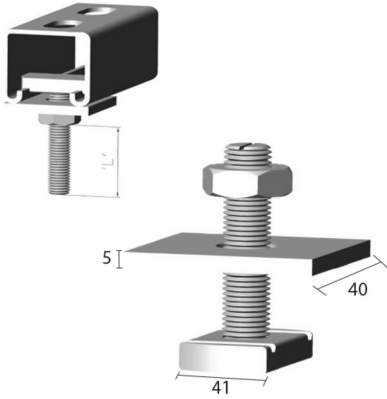


SN

Draadeindmoer voor draagprofiel



Stand. Uitv.

Sendzimir

HD	Artikel	↕ mm	↔ mm	→ ← mm	↔ mm	kg/stk	📦	Stock	Eenh.
-	M6X30SN		35			0,068	100		STK
-	M8X30SN		35			0,081	100		STK
-	M8X40SN		35			0,084	100		STK
-	M8X50SN		35			0,087	100		STK
-	M8X60SN		35			0,090	100		STK
-	M8X75SN		35			0,095	100		STK
-	M8X100SN		35			0,103	100		STK
-	M10X30SN		35			0,097	100		STK
-	M10X40SN		35			0,102	100		STK
-	M10X50SN		35			0,107	100		STK
-	M10X60SN		35			0,112	100		STK
-	M10X75SN		35			0,120	100		STK
-	M10X100SN		35			0,132	100		STK
-	M12X30SN		35			0,117	100		STK
-	M12X40SN		35			0,124	100		STK
-	M12X50SN		35			0,131	100		STK
-	M12X60SN		35			0,139	100		STK
-	M12X75SN		35			0,150	100		STK
-	M12X100SN		35			0,168	25		STK
-	M16X63SN		35			0,120	100		STK
-	M16X102SN		35			0,170	50		STK