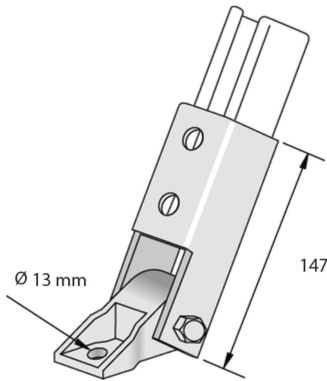


**P2815S**  
**Base plate variable angle**



Standard finish		Pre-galvanised							
HD	Reference	↕ mm	↔ mm	→  ← mm	↔ mm	kg/stk	📦	Stock	Unit
-	<b>P2815S</b>					1,528	10	X	STK

Abbreviation:  
 - ZP = Zinc Plated