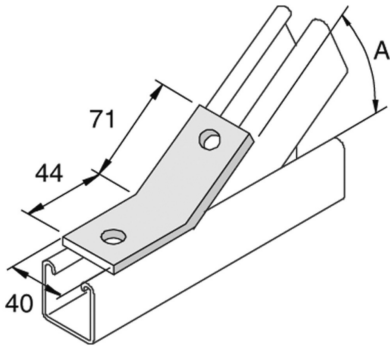


P1546SS

Fitting angle 45° 2D14



Standard finish		Stainless Steel 316							
HD	Reference	↕ mm	↔ mm	→ ← mm	↔ mm	kg/stk	📦	Stock	Unit
-	P1546SS		40			0,194	10		STK