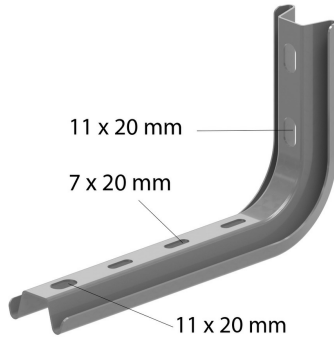


I6LOMEGA150

Bracket / Ceiling profile



Standard finish	Stainless Steel 316
-----------------	---------------------

	Max. load (in daN)
100	110
150	100
200	90
300	70
400	50
500	40
600	30

HD	Reference	↕ mm	↔ mm	→ ← mm	↔ mm	kg/stk	📦	Stock	Unit
-	I6LOMEGA150.100	145	145			0,300	12	X	STK
-	I6LOMEGA150.150	145	195			0,320	12	X	STK
-	I6LOMEGA150.200	145	245			0,340	12	X	STK
-	I6LOMEGA150.300	145	345			0,490	6	X	STK
-	I6LOMEGA150.400	145	445			0,540	6	X	STK
-	I6LOMEGA150.500	145	545			0,640	6	X	STK
-	I6LOMEGA150.600	145	645			0,770	6	X	STK

Use the I6VOMEGA to avoid compression of the profiles.

Pickled and passivated.