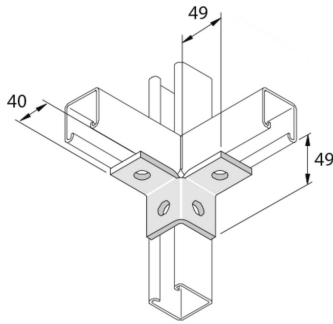


**P2223**  
**Wing fitting 2L 4D14**



Standard finish		Hot-dip galvanised							
HD	Reference	↕ mm	↔ mm	→  ← mm	↔ mm	kg/stk	📦	Stock	Unit
-	<b>P2223</b>	49	82		82	0,274	10	X	STK
-	<b>P2223DF</b>	49			89	0,274	10	X	STK

Abbreviation:  
 - HG = Hot-Dip Galvanised