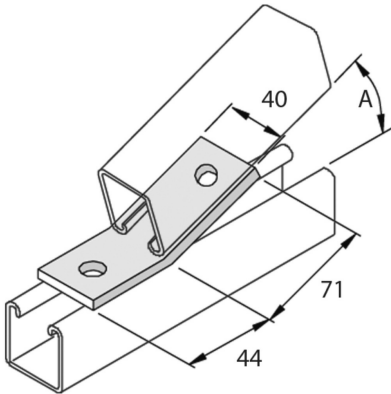


P2103
Fitting angle 15° 2D14



| Standard finish | | Hot-dip galvanised | | | | | | | |
|-----------------|--------------|--------------------|---------|---------|---------|--------|----|-------|------|
| HD | Reference | ↕ mm | ↔ mm | ↔ mm | ↔ mm | kg/stk | 📦 | Stock | Unit |
| - | P2103 | | | | | 0,188 | 10 | | STK |

A = 15°

Abbreviation:

- HG = Hot-Dip Galvanised