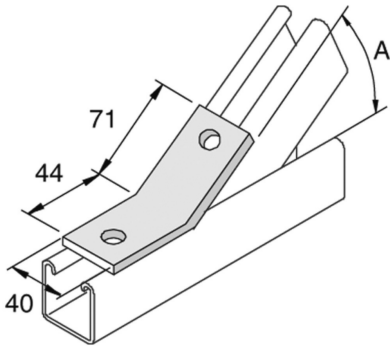


**P2097**  
**Fitting angle 60° 2D14**



Standard finish		Hot-dip galvanised							
HD	Reference	↕ mm	↔ mm	↔ mm	↔ mm	kg/stk	📦	Stock	Unit
-	<b>P2097</b>					0,188	10	X	STK

A = 60°

Abbreviation:

- HG = Hot-Dip Galvanised