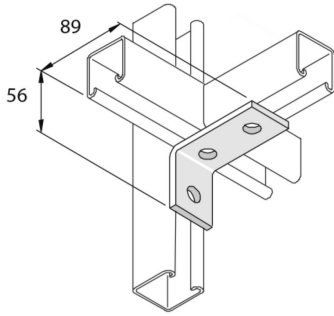


**P1458**  
**Fitting 90° angle L 3D14**



Standard finish		Hot-dip galvanised							
HD	Reference	↕ mm	↔ mm	→  ← mm	↔ mm	kg/stk	📦	Stock	Unit
-	<b>P1458</b>	56	40		89	0,213	10	X	STK

Abbreviation:  
 - HG = Hot-Dip Galvanised