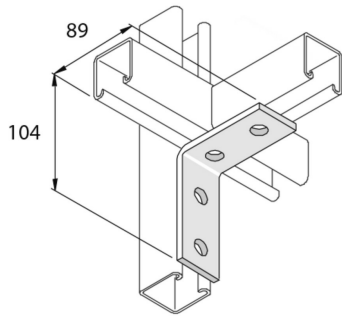


P1325
Fitting 90° angle L 4D14



Standard finish		Hot-dip galvanised							
HD	Reference	↕ mm	↔ mm	↔ mm	↔ mm	kg/stk	📦	Stock	Unit
-	P1325	89	40		104	0,288	25	X	STK
-	P1325DF	89	40		104	0,375	25	X	STK

Abbreviation:
 - HG = Hot-Dip Galvanised