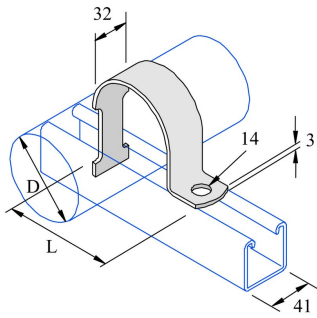


**SS2A - SS2N**  
**SS2 Pipe Clamp**



Standard finish		Hot-dip galvanised							
HD	Reference	↕ mm	↔ mm	→  ← mm	↔ mm	kg/stk	📦	Stock	Unit
-	<b>SS2/AH</b>	66	32		66	0,062	20		STK
-	<b>SS2/BH</b>	73	32		73	0,071	20		STK
-	<b>SS2/CH</b>	81	32		81	0,086	20		STK
-	<b>SS2/DH</b>	90	32		90	0,104	20		STK
-	<b>SS2/EH</b>	96	32		96	0,115	10		STK
-	<b>SS2/FH</b>	96	32		96	0,140	10		STK
-	<b>SS2/GH</b>	113	32		113	0,172	10		STK
-	<b>SS2/HH</b>	125	32		125	0,199	10		STK
-	<b>SS2/JH</b>	137	32		137	0,224	10		STK
-	<b>SS2/KH</b>	150	32		150	0,251	10		STK
-	<b>SS2/MH</b>	204	32		204	0,357	10		STK
-	<b>SS2/NH</b>	255	32		255	0,461	10		STK

Abbreviation:  
- HG = Hot-Dip Galvanised