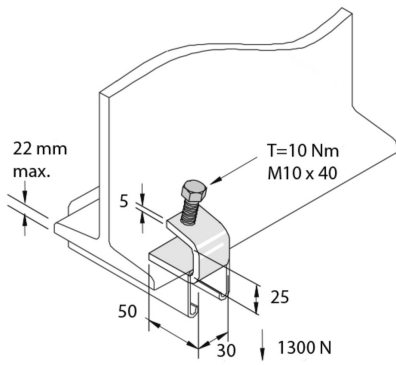


P1272
I-beam clamp C25



Standard finish		Hot-dip galvanised							
HD	Reference	↕ mm	↔ mm	→ ← mm	↔ mm	kg/stk	📦	Stock	Unit
-	P1272	25	30		50	0,119	20	X	STK

Abbreviation:
 - HG = Hot-Dip Galvanised