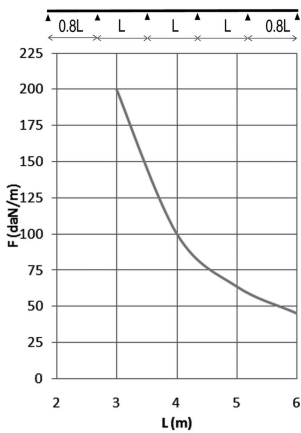
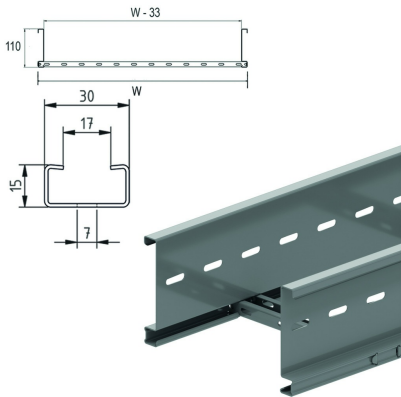


KLL110

Cable ladder



Side walls: perforated S-profile
Perforated C rungs 15x30

| Standard finish | | Pre-galvanised | | | | | | | |
|-----------------|---------------------|----------------|---------|------------|---------|-------|----|-------|------|
| Optional finish | | zinc magnesium | | | | | | | |
| HD | Reference | ↑ mm | ↔ mm | → ← mm | ↔ mm | kg/m | 📦 | Stock | Unit |
| - | KLL110.150 | 110 | 150 | 1,25 | 3000 | 3,570 | 18 | | M |
| - | KLL110.200 | 110 | 200 | 1,25 | 3000 | 3,687 | 18 | | M |
| - | KLL110.300 | 110 | 300 | 1,25 | 3000 | 3,921 | 18 | | M |
| - | KLL110.400 | 110 | 400 | 1,25 | 3000 | 4,155 | 18 | | M |
| - | KLL110.450 | 110 | 450 | 1,25 | 3000 | 4,272 | 18 | | M |
| - | KLL110.500 | 110 | 500 | 1,25 | 3000 | 4,389 | 18 | | M |
| - | KLL110.600 | 110 | 600 | 1,25 | 3000 | 4,623 | 18 | | M |
| - | KLL110.750 | 110 | 750 | 1,25 | 3000 | 4,975 | 18 | | M |
| - | KLL110.800 | 110 | 800 | 1,25 | 3000 | 5,092 | 18 | | M |
| - | KLL110.900 | 110 | 900 | 1,25 | 3000 | 5,326 | 18 | | M |
| - | ZMKLL110.150 | 110 | 150 | 1,25 | 3000 | 3,570 | 18 | | M |
| - | ZMKLL110.200 | 110 | 200 | 1,25 | 3000 | 3,687 | 18 | | M |
| - | ZMKLL110.300 | 110 | 300 | 1,25 | 3000 | 3,921 | 18 | | M |
| - | ZMKLL110.400 | 110 | 400 | 1,25 | 3000 | 4,155 | 18 | | M |
| - | ZMKLL110.450 | 110 | 450 | 1,25 | 3000 | 4,272 | 18 | | M |
| - | ZMKLL110.500 | 110 | 500 | 1,25 | 3000 | 4,389 | 18 | | M |
| - | ZMKLL110.600 | 110 | 600 | 1,25 | 3000 | 4,623 | 18 | | M |
| - | ZMKLL110.750 | 110 | 750 | 1,25 | 3000 | 4,975 | 18 | | M |
| - | ZMKLL110.800 | 110 | 800 | 1,25 | 3000 | 5,092 | 18 | | M |
| - | ZMKLL110.900 | 110 | 900 | 1,25 | 3000 | 5,326 | 18 | | M |

LOAD DIAGRAM

This diagram illustrates the permissible uniformly distributed horizontal loads applied to multiple supports. They comply with IEC 61537 with connection in the centre of the span and the end span = 0,8x the span.

F = max. admissible load (daN/m)

L = support distance (m)

Max. deflection (m) = L/100

CHARACTERISTICS

- lightweight
- strong
- partition (SLOS85) can be fixed to the cable ladder with a sliding nut (GM6) and pan head bolt (RB6.10)
- no further coupling holes are required if the cable ladder is cut.
- rungs are perforated to enable efficient attachment of cables.

TECHNICAL INFORMATION

Side walls are constructed from S profile with a return flange and are continuously perforated.

C-profile rungs are fixed at 250 mm intervals.

Rungs are mechanically attached to the side wall of the cable ladder.

Rungs are alternately placed with openings upwards and downwards.