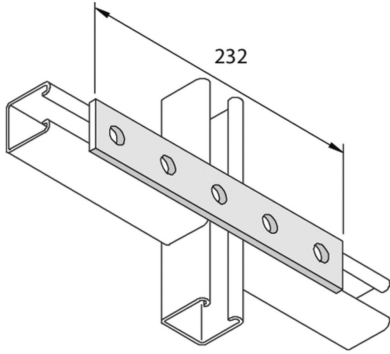


P1941SS
Fitting flat 5D14



Standard finish		Stainless Steel 316							
HD	Reference	↕ mm	↔ mm	→ ← mm	↔ mm	kg/stk	📦	Stock	Unit
-	P1941SS		40		232	0,375	20		STK