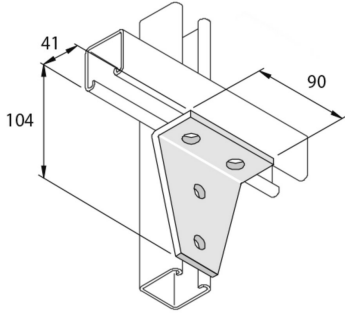


P1359SS

Fitting 90° angle LTR 4D14



Standard finish		Stainless Steel 316							
HD	Reference	↕ mm	↔ mm	→ ← mm	↔ mm	kg/stk	📦	Stock	Unit
-	P1359SS	104	41		90	0,494	10		STK