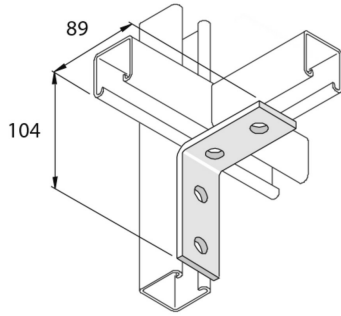


P1325SS
Fitting 90° angle L 4D14



Standard finish		Stainless Steel 316							
HD	Reference	↕ mm	↔ mm	→ ← mm	↔ mm	kg/stk	📦	Stock	Unit
-	P1325SS	89	40		104	0,297	10	X	STK