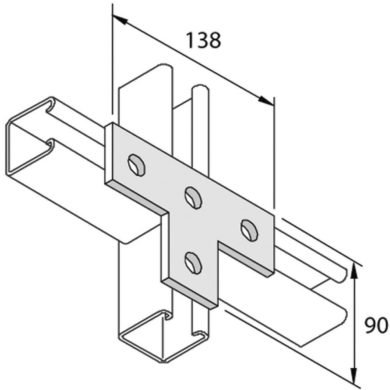


P1031SS
Fitting flat T 4D14



Standard finish		Stainless Steel 316							
HD	Reference	↕ mm	↔ mm	→ ← mm	↔ mm	kg/stk	📦	Stock	Unit
-	P1031SS	90			138	0,385	10		STK