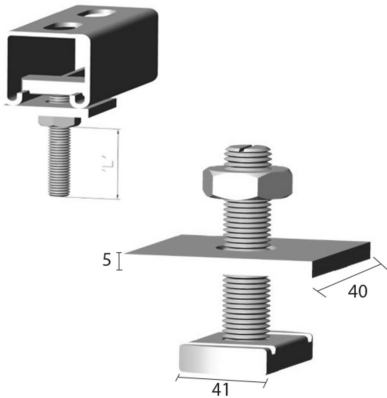


SN

Gleitmutter für Tragprofile



| | | Standardausführung | | | | Sendzimir verzinkt | | | |
|----|------------------|--------------------|---------|------------|---------|--------------------|-----|-------|---------|
| HD | Referenz | ↕ mm | ↔ mm | → ← mm | ↔ mm | kg/stk | 📦 | Lager | Einheit |
| - | M6X30SN | | 35 | | | 0,068 | 100 | | STK |
| - | M8X30SN | | 35 | | | 0,081 | 100 | | STK |
| - | M8X40SN | | 35 | | | 0,084 | 100 | | STK |
| - | M8X50SN | | 35 | | | 0,087 | 100 | | STK |
| - | M8X60SN | | 35 | | | 0,090 | 100 | | STK |
| - | M8X75SN | | 35 | | | 0,095 | 100 | | STK |
| - | M8X100SN | | 35 | | | 0,103 | 100 | | STK |
| - | M10X30SN | | 35 | | | 0,097 | 100 | | STK |
| - | M10X40SN | | 35 | | | 0,102 | 100 | | STK |
| - | M10X50SN | | 35 | | | 0,107 | 100 | | STK |
| - | M10X60SN | | 35 | | | 0,112 | 100 | | STK |
| - | M10X75SN | | 35 | | | 0,120 | 100 | | STK |
| - | M10X100SN | | 35 | | | 0,132 | 100 | | STK |
| - | M12X30SN | | 35 | | | 0,117 | 100 | | STK |
| - | M12X40SN | | 35 | | | 0,124 | 100 | | STK |
| - | M12X50SN | | 35 | | | 0,131 | 100 | | STK |
| - | M12X60SN | | 35 | | | 0,139 | 100 | | STK |
| - | M12X75SN | | 35 | | | 0,150 | 100 | | STK |
| - | M12X100SN | | 35 | | | 0,168 | 25 | | STK |
| - | M16X63SN | | 35 | | | 0,120 | 100 | | STK |
| - | M16X102SN | | 35 | | | 0,170 | 50 | | STK |